

## FICHE TECHNIQUE

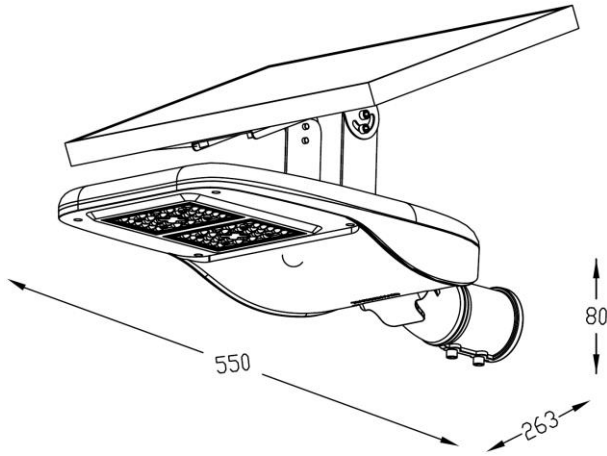
Lampadaire solaire tout en un à LED 40W / 60W / 80W / 100W, IP65



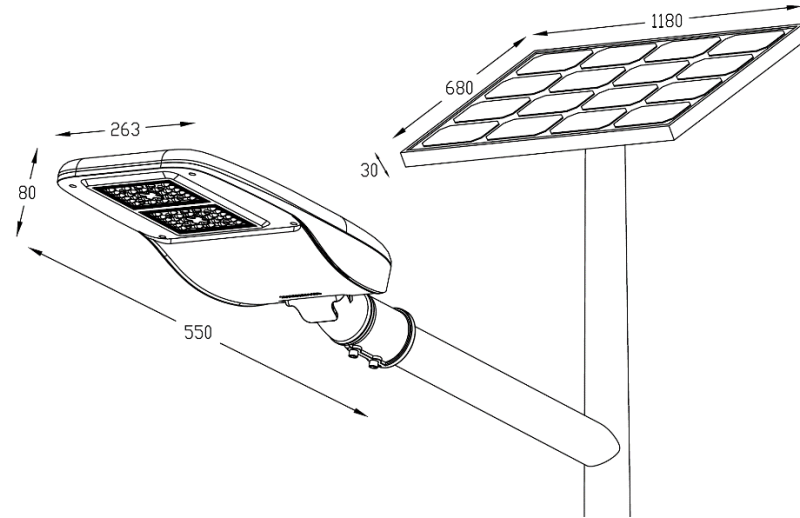
## Description:

Model NO.	CK-SA40-AT	CK-SA60-AT	CK-SA80-AT	CK-SA100-AT
Wattage:	40W	60W	80W	100W
Lumen Output:	5200lm ± 10%	7800lm ± 10%	10000lm ± 10%	13000lm ± 10%
Solar panel power:	25W/10V	80W/18V	120W/18V	160W/18V
Installation height:	4-6 meters	6-8 meters	8-10 meters	9-12 meters
Installation distance:	5-7 meters	8-10 meters	10-12 meters	12-15 meters
Battery:	Lithium battery, 12AH/6.4V	Lithium battery, 30AH/12V	Lithium battery, 60AH/12V	Lithium battery, 70AH/12V
LED light source:	Philips 3030SMD or Nichia 3030SMD			
CCT:	4000-6500K		Solar panel	Monocrystalline silicon solar panel for
Power Factor:	≥0.90		Option:	<b>MPPT control system</b>
CRI:	≥80Ra		Charging time:	7-12 hours
Beam angle:	60*120°		Working time:	3-5 days (cloudy or raining day)
Working temp.:	-15°C ~+50°C		Lifespan:	≥50,000 Hours
Storage temp.:	-30°C ~+65°C		Warranty:	3 years for lamp / 2 years for battery
Housing material:	Die-casing Aluminum		IP rate:	IP65
<b>Lamp working: the first 4 hours - 100%, the second 4 hours - 50% and the last 4 hours - 25%</b>				

## Dimension:



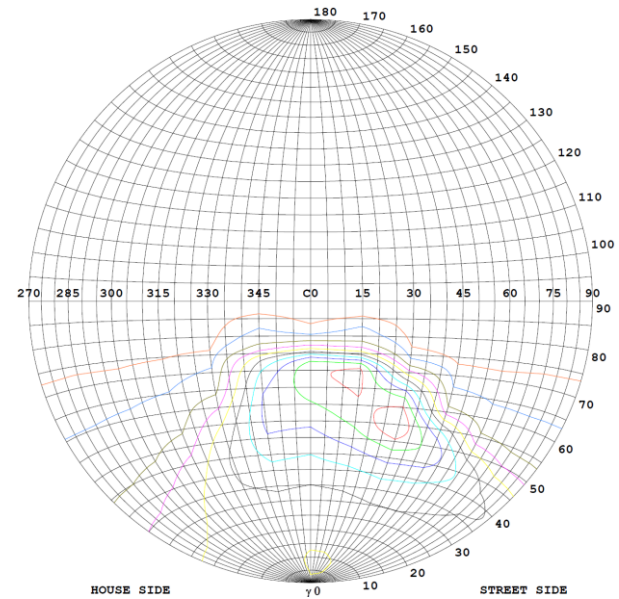
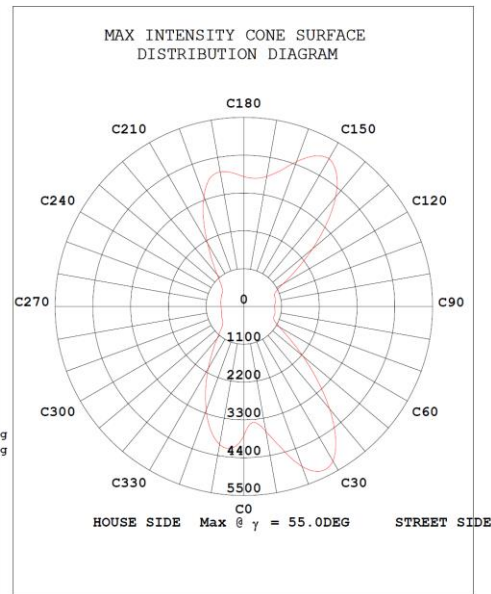
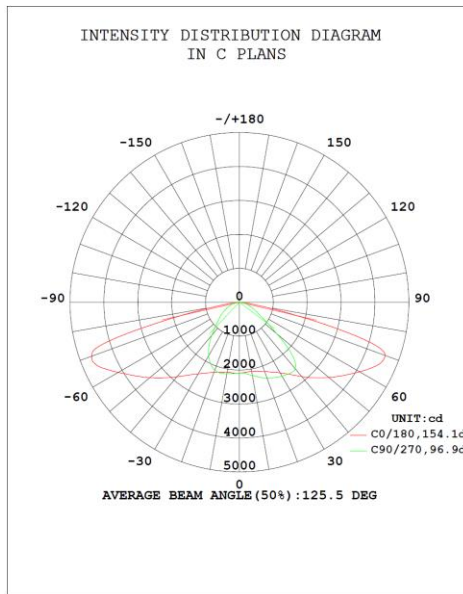
**40W**



**60W/80W/100W**

## Photométrie Luminaire :

## DIAGRAMME ISOCANDELA DU LAMPADAIRE



## 6 avantages de protection :



## Applications:



## Remarques:

- \*Svp le faire installer par un professionnel.
- \*Svp, vous assurer du bon voltage avant toutes installations.
- \*Svp éteindre avant d'installer ou de changer de batteries.
- \*Svp garder hors de la portée des enfants.